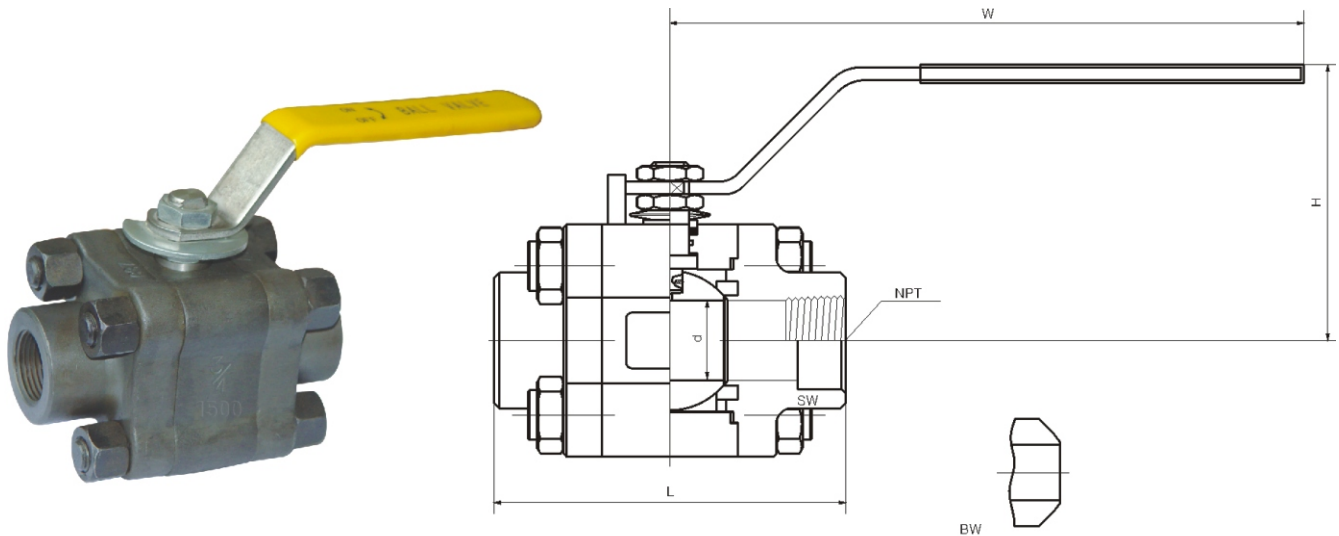


# 3PCS Forged Steel Ball Valves



## CL800-CL1500

... Connection ends may be pipe-welded (butt-welding or socket welding) and/or threaded, design to BS5351

Specification	F.P	1/4	3/8	1/2	3/4	1	1 <sup>1</sup> / <sub>4</sub>	1 <sup>1</sup> / <sub>2</sub>	2	
Face to face(mm)	L1	92	92	92	111	127	140	152	152	
Center to handle end	B	108	108	108	146	178	178	200	200	
Height (mm)	H	51	51	51	108	81	85	105	105	
Flow port dimension	d	CL800	6	9	13	18	23	28	35	49
		CL1500	6	9	13	19	25	32	38	49
Weight			2.5	2.4	2.3	3.4	5.4	6.4	11	13
			2.5	2.4	2.5	3.7	5.8	6.8	11.5	13.7

## CI2500

... Connection ends may be pipe-welded (butt-welding or socket welding) and/or threaded, design to BS5351

Specification	F.P	1/4	3/8	1/2	3/4	1	1 <sup>1</sup> / <sub>4</sub>	1 <sup>1</sup> / <sub>2</sub>	2
Face to face(mm)	L			110	125	135		160	
Center to handle end	B			170	230	230		310	
Height (mm)	H			95	110	125			
Flow port dimension	d			13	19	25		38	
Weight				2.7	4.1	6.3		12	