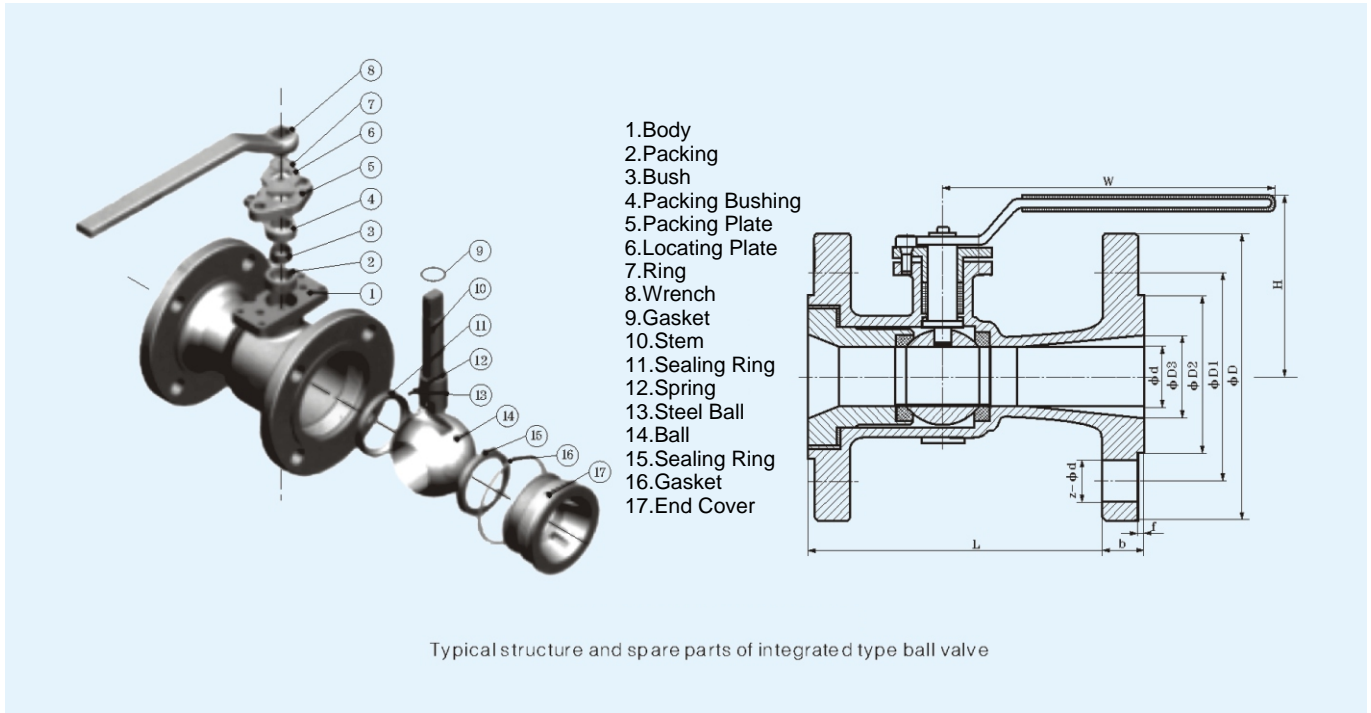


ANSI integrated type reducing ball valve



*** Main dimensions

Class 150(PN1.6~2.0MPa)

mm

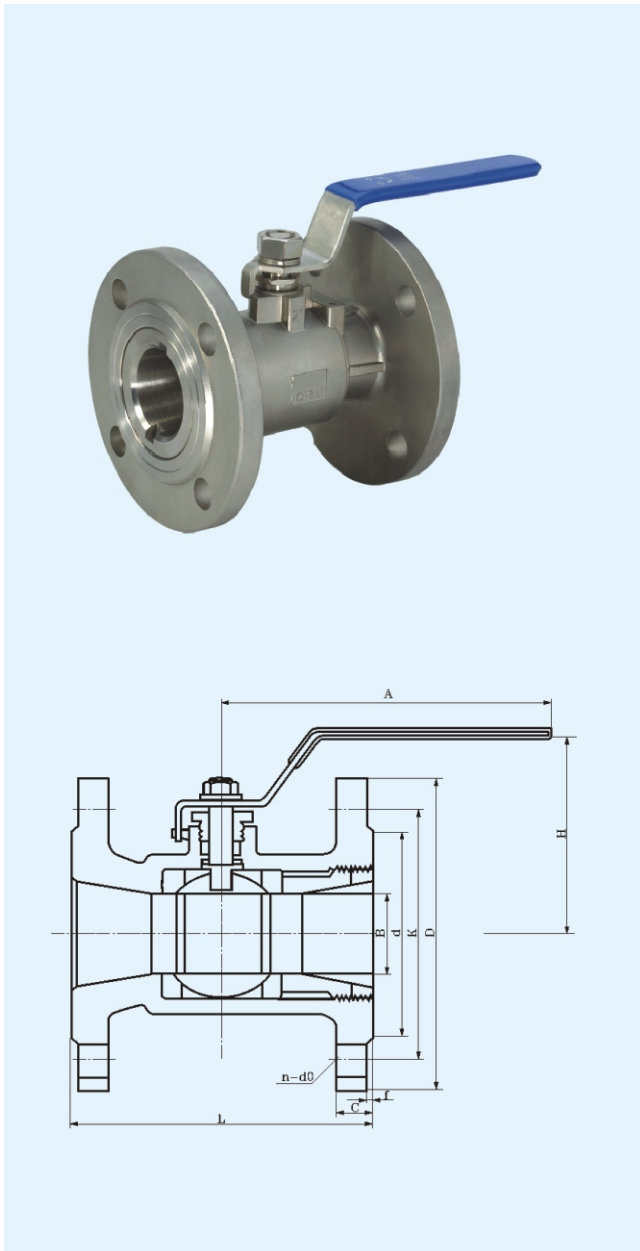
NPS inch	L	φ d	W	H	φ D3	φ D2	φ D1	φ D	b	f
3/4×1/2	117	13	180	84	20	43	70	98.5	10.5	1.6
1×3/4	127	19	180	87	25	51	79.2	108	11.2	1.6
1 1/2×1 1/4	165	32	220	102	38	73	98.6	127	14.2	1.6
2×1 1/2	178	38	242	137	50	92	120.7	152	15.9	1.6
3×2 1/2	203	60	242	167	64	127	152.4	190.5	19.1	1.6
4×3	229	76	350	205	76	157	190.5	229	23.9	1.6
6×4	267	100	460	220	102	216	241.3	279	25.4	1.6
8×6	292	144	550	313	152	270	298.5	342.5	28.5	1.6



*** Main dimensions Class 300(PN2.5~5.0MPa)

NPS inch	L	φ d	W	H	φ D3	φ D2	φ D1	φ D	b	f
3/4×1/2	152	13	180	84	20	43	83	117	15.9	1.6
1×3/4	165	19	180	87	25	51	89	124	17.5	1.6
1 1/2×1 1/4	191	32	220	102	38	73	114	155	20.7	1.6
2×1 1/2	216	38	242	137	50	92	127	165	22.3	1.6
3×2 1/2	283	60	242	167	64	127	168	201	28.6	1.6
4×3	305	76	350	205	76	157	200	254	31.8	1.6
6×4	403	100	460	220	102	216	270	317.5	36.6	1.6
8×6	419	144	550	313	152	270	330	381	41.2	1.6

GB integrated type ball valve



... Main performance parameter

Nominal pressure	PN	1.6,2.5,4.0,6.4
Strength testing pressure	PT	2.4,3.8,6.0,9.6
Seat testing pressure (Low pressure)		0.6
Seat testing pressure (High pressure)		1.8,2.8,4.4,7.1
Q41F-(16-64)CQ41F-(16-64)PQ41F-(16-64)R		
Applicable media	Water, Oil, Steam	Nitric acid Acetic acid
Applicable Temperature		-40~180°C

... Materials of main parts

Description of parts	Q41F-(16-64)C	Q41F-(16-64)P	Q41F-(16-64)R
Body	WCB	ZG1Cr18Ni9Ti CF8	ZG1Cr18Ni12 Mo2Ti CF8M
Ball	1Cr18Ni9Ti 304	1Cr18Ni9Ti 304	1Cr18Ni12Mo2Ti 316
Stem	1Cr18Ni9Ti 304	1Cr18Ni9Ti 304	1Cr18Ni12Mo2Ti 316
Sealring	Poly tetra fluor ethylene(PTFE)		
Packing	Poly tetra fluor ethylene(PTFE)		

... Main dimensions

DN	B	L	D	K	d	C	F	H	A	N-do
15	12	90	95	65	46	14	2	60	110	4-14
20	15	105	105	75	56	14	2	65	120	4-14
25	20	110	115	85	65	15	2	75	150	4-14
32	25	125	135	100	76	16	3	83	160	4-18
40	32	136	145	110	85	18	3	90	160	4-18
50	38	155	160	125	100	18	3	100	180	4-18
65	50	170	180	145	118	20	3	110	200	4-18
80	65	200	195	160	132	20	3	130	250	8-18
100	80	230	215	180	150	22	3	150	270	8-18