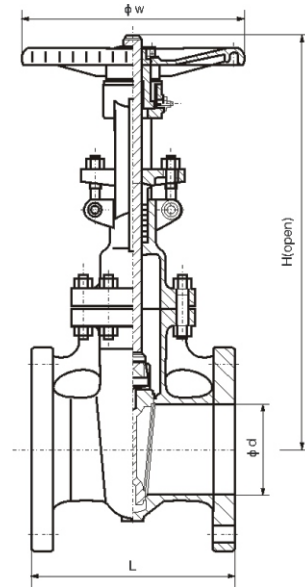
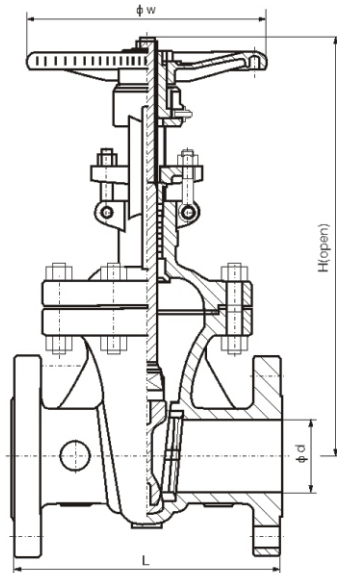


API603 Cast Stainless steel Gate Valve



…API603 Class 150 ~ Class 300

Cast Stainless Steel Gate Valve



…Standards

Design and Manufacture: API 603

Inspection and Test: API 598

End flange dimension: ASME B16.5

Face to face: ASME B16.10

Pressure-temperature ratings: ASME B16.34

Size		Class 150					Class 300				
NPS	DN	Dimensions (mm)				Weight(Kg)	Dimensions (mm)				Weight(Kg)
		L	d	H	W		L	d	H	W	
1/2	15	108	13	195	120	3	140	13	198	120	5
3/4	20	117	19	210	120	4	152	19	215	140	6
1	25	127	25	240	140	6	165	25	245	160	9
1 1/4	32	140	32	300	180	8	178	32	306	180	12
1 1/2	40	165	38	395	200	12	190	38	400	200	18
2	50	178	51	365	160	16	216	51	400	200	22
2 1/2	65	191	64	420	160	22	241	64	435	200	26
3	80	203	76	485	200	28	283	76	515	250	41
4	100	229	102	580	250	42	305	102	600	280	62
5	125	254	127	710	250	53	381	127	715	300	84
6	150	267	152	741	280	65	403	152	780	350	110
8	200	292	203	960	300	105	419	203	980	400	177
10	250	330	254	1055	350	160	457	254	1200	400	284
12	300	356	305	1352	400	245	502	305	1400	400	382
14	350	381	337	1520	400	328	762	337	1560	500	598
16	400	406	387	1734	500	425	838	387	1760	500	785
18	450	432	438	1920	500	510	914	432	1940	600	962
20	500	457	489	2110	600	650	991	483	2140	600	1144
24	600	508	591	2520	700	855	1143	584	2550	700	1805