

# Butterfly Swing Check Valve



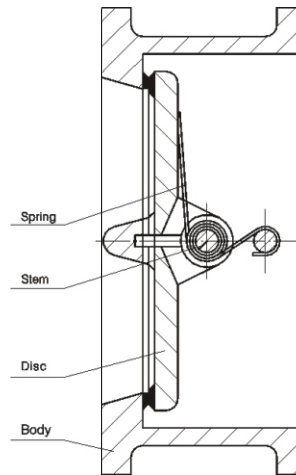
## Standards compliance

Design and Manufacture: ANSI B16.34, API 6D Face to face: API 6D

Flanged connection: 2"~24" to ANSI B16.5 22",2 6"~36" to MSS-SP-44 to API 605 on request

Test and inspection: API 6D Shell test: 150Lb 450 PSI 300Lb 1125 PSI

Seat test: 150Lb 315 PSI Hydrostatic 80PSI Air 300Lb 815 PSI



## Product introduction

The wafer flange clamped butterfly check valve is a energy-save product. It is manufactured based the foreign advanced technology and in accordance with relative international standards. This product is featured by excellent retaining performance, high safety and reliability and low flow resistance. It is suitable for systems in the industries of petrochemical food processing, medicine, textile, paper-making. Water, supply, drainage, metallurgy, energy. And light industry, etc, used as a check valve in one way.

## Features

- 1.Small in size, light in weight, compact in structure, easy in maintenance.
- 2.Two torsion springs are used exerting on each of the pair valve plates. Which close the plates quickly and automatically.
- 3.The quick-close action prevents the medium from flowing back and eliminates water-hammer effect.
- 4.This valve is short in length, so that it is rigid and easy to mount.
- 5.It is easy to install on pipeline which is laid horizontally or vertically.
- 6.This valve is tightly sealed without leakage under the pressure water test.
- 7.Safe and reliable in operation, high interference-resistance.
- 8.The connectin dimensions of flanges accord with the standards of GB4216-84 GB4216.5-84
- 9.The face to face dimensions are in accordance with GB12221-89. ISO5752-82.The stem of the valve should be perpendicular to the horizontal level when the valve is mounted on horizontal pipeline. For vertical installation the direction of flow should be downward.

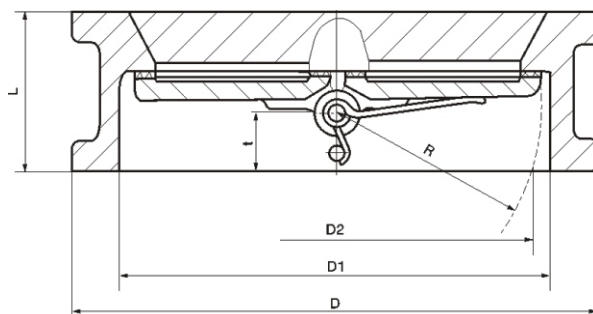
# Butterfly Swing Check Valve



## ...CLASS 150~300 Butterfly Swing Check Valve

### ... Materials for main parts

Patr	WCB	A352 LCB	A217 WC6	A217 WC9	A217 C5	A217 C12	A351CF8	A351CF8M
Body	A216 WCB	A352 LCB	A217 WC6	A217 WC9	A217 C5	A217 C12	A351 CF8	A351 CF8M
Disc	A351 CF8	A351 CF8	A182 F11	A182 F22	A217 C5	A217 C12	A182 F304	A182 F316
Sten	A182 F304	A182 F304	A182 F304	A182 F304	A182 F304	A182 F304	A182 F304	A182 F316
Spring	Stainless steel							
Rubber Gasket	EPDM -46~+121 Neoprene -50~+150 NBR -35~+113 Fluororabber -23~+150							



### ... Overall & structure dimension & weight

Size		D	D <sub>1</sub>	D <sub>2</sub>	L	R	t	Weight (Kg)
mm	inch							
50	2"	107	65	43.3	43	28.8	19	1.5
65	2.5"	127	80	60.2	46	36.1	20	2.4
80	3"	142	94	66.4	64	43.4	28	3.6
100	4"	162	117	90.8	64	52.8	27	5.7
125	5"	192	145	116.9	70	65.7	30	7.3
150	6"	213	170	144.6	76	78.6	31	9.0
200	8"	273	224	198.2	89	104.4	33	17
250	10"	323	265	233.7	114	127	50	26
300	12"	378	310	283.9	114	148.3	43	42
350	14"	438	360	332.9	127	172.4	46	55
400	16"	439	410	381.0	140	197.4	52	75
450	18"	555	450	419.9	152	217.8	58	101 107
500	20"	594	505	467.8	152	241	58	111
600	24"	690	624	572.6	178	295.4	73	172
700	28"	800	720	680	229	354	98	219