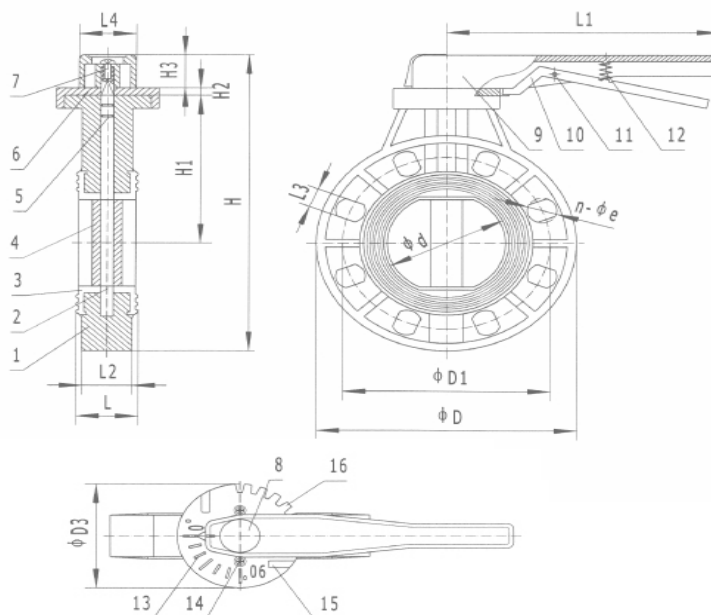


## Material List

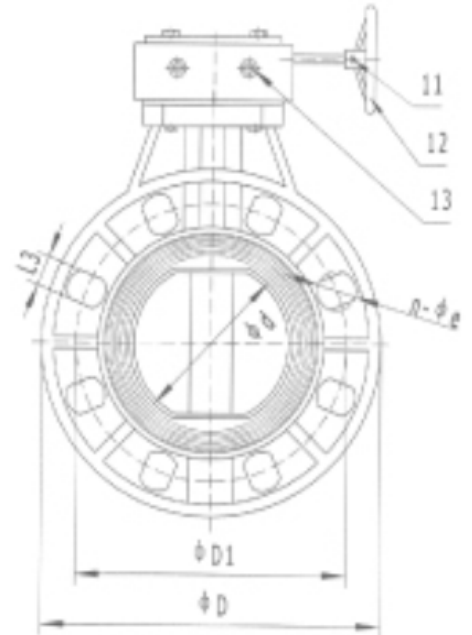
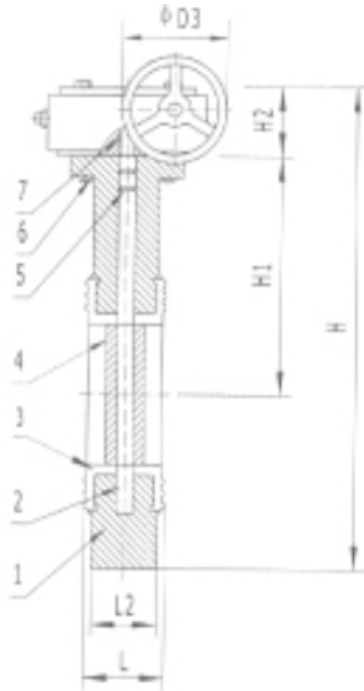
NO.	Part	Material	Qty
1	BODY	PVC/PP	1
2	STEM	2Gr13	1
3	SEAL	EPDM	1
4	DISC	PVC/PP	1
5	O-RING	EPDM	2
6	INDICATOR PLATE	ABS	1
7	BOLT	304	1
8	TM CAP	ABS	1
9	HANDLE	ABS	1
10	LEVER	ABS+SS304	1
11	SET PIN	STELL	1
12	SPRING	SS304	1
13	INDICATOR SCALE	ABS	1
14	SCREW	SS304	4
15	POSITION LIMIT	ABS	2
16	POSITION BLOCK	ABS	7



## Parameter list

		DN50mm (2")	DN65mm (2-1/2")	DN80mm (3")	DN100mm (4")	DN125mm (5")	DN150mm (6")	DN200mm (8")
Φ D		160	180	196	228	258	287	344
D1	DIN	125	145	160	180	210	240	295
	ANSI	121	140	152	191	216	241	298
	JIS	120	140	150	175	210	240	290
Φ d		50	65	80	100	125	150	200
Φ D3		120	120	120	120	160	160	160
L1		190	190	240	240	310	310	310
L		43	46	49	54	64	70	88
L2		37	39	43	48	58	63	80
L3		20	20	20	20	20	24	24
L4		45	45	45	45	70	70	70
H		223	245	278	318	367	399	469
H1		100	112	132	156	171	188	230
H2		8	8	8	8	12	12	12
H3		35	35	40	40	55	55	55
n= φ e	DIN	4-18	4-19	8-18	8-18	8-18	8-22	8-23
	ANSI	4-18	4-19	4-19	8-19	8-22	8-22	8-22
	JIS	4-19	4-19	8-19	8-19	8-23	8-23	12-23
Working pressure		150psi 1.0MPa	150psi 1.0MPa	150psi 1.0MPa	150psi 1.0MPa	150psi 1.0MPa	150psi 1.0MPa	100psi 0.6MPa
Torque N.M		<10	<10	<15	<22	<40	<45	<65

# Butterfly Valve Gear Type



## parameter list

		DN50mm	DN65mm	DN80mm	DN100mm	DN125mm	DN150mm	DN200mm	DN250mm	DN300mm	DN350mm	DN400mm	DN450mm	DN500mm	DN600mm
		(2")	(2-1/2")	(3")	(4")	(5")	(6")	(8")	(10")	(12")	(14")	(16")	(18")	(20")	(24")
$\Phi D$		160	180	196	228	258	287	344	411	460	510	570	605	666	780
D1	DIN	125	145	160	180	210	240	295	350	400	460	515	565	620	725
	ANSI	121	140	152	191	216	241	298	363	432	477	540	578	635	749
	JIS	120	140	150	175	210	240	290	355	400	445	510	565	620	730
$\Phi d$		50	65	80	100	125	150	200	250	300	350	400	450	500	600
$\Phi D3$		145	145	145	145	280	280	280	280	280	300	410	410	410	410
L1		120	120	120	120	200	200	200	200	200	210	210	210	280	280
L		43	46	49	54	64	70	88	98	108	88	98	109	135	162
L2		37	39	43	48	58	63	80	88	98	80	88			
L3		20	20	20	20	22	24	24	26	26	26	26	26	26	26
L4		126	126	126	126	195	195	195	195	195	230	230	230		
H		250	272	300	340	385	417	487	551	595	670	730	806	830	950
H1		100	112	132	156	171	188	230	260	280	300	350	370	400	460
H2		70	70	70	70	85	85	85	85	85	100	100	100	170	170
n= $\phi e$	DIN	4-18	4-19	8-18	8-18	8-18	8-22	8-23	12-32	12-32	16-32	16-32	20-32	20-32	20-35
	ANSI	4-18	4-19	4-19	8-19	8-22	8-22	8-22	12-32	12-32	12-32	16-32	16-32	20-32	20-35
	JIS	4-19	4-19	8-19	8-19	8-23	8-23	12-23	12-32	16-32	16-32	16-32	20-32	20-32	20-35
pressure	150psi 1.0MPa	150psi 1.0MPa	150psi 1.0MPa	150psi 1.0MPa	150psi 1.0MPa	150psi 1.0MPa	150psi 1.0MPa	150psi 0.6MPa	100psi 0.6MPa	100psi 0.6MPa	100psi 0.6MPa	100psi 0.6MPa	60psi 0.4MPa	60psi 0.4MPa	60psi 0.4MPa