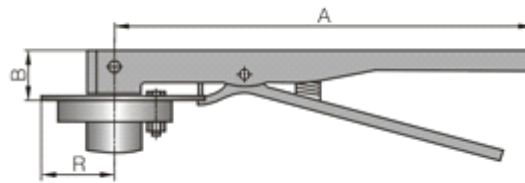
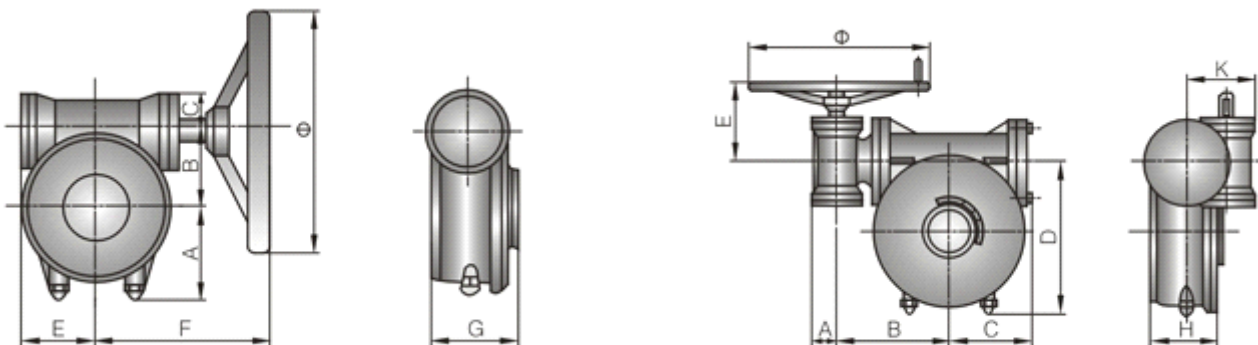


# Center Line Butterfly Valve



## Wrench Of Center Line Butterfly Valve

Size(mm)	Demension (mm)			Weight (kg)
	A	B	R	
50-100	266.7	32	51	0.5
125-150	345	32	51	0.8
200-300	353	45	76.5	1.3



Worm Gearing

Secondary Worm Gearing

## Worm Gearing Of Center Line Butterfly Valve

Type	Size(mm)	Demension (mm)						Weight(kg)
		A	B	C	E	F	G	
TIP-150	50-150	64	48	31	59	121	73	6
TIP-250	200-250	80	70	39	78	163	89	8.5
TIP-350	300-350	98	95	44	98	193	98	18

## Secondary Worm Gearing Of Center Line Butterfly Valve

Type	Size(mm)	Demension (mm)								Weight (kg)
		A	B	C	D	E	Φ	H	K	
TIP-450	400-450	57	178	121	220	174	300	125	112	30
TIP-600	500-600	57	221	142	274	174	300	145	112	72
TIP-800	700-800	67	244	183	351	165	400	157	143	133