

CY Series Hydraulic Actuator



1.Applications

CY series hydraulic actuator can be used for open and close quarter-turn valve by the motive power is from the inside oil and anti-rust water, quarter-turn valve include butterfly valve, ball valve and plug valve, It's a ideal device to realize long-distance pipeline concentration and individually controlled industrial automation.

2.Main Technical Parameters

- (1). Medium: Oil, anti-rust water
- (2). Working tempreature: -29°C ~ +80°C
- (3). Application scope: DN50 ~ DN400
- (4). Torque moment: as required

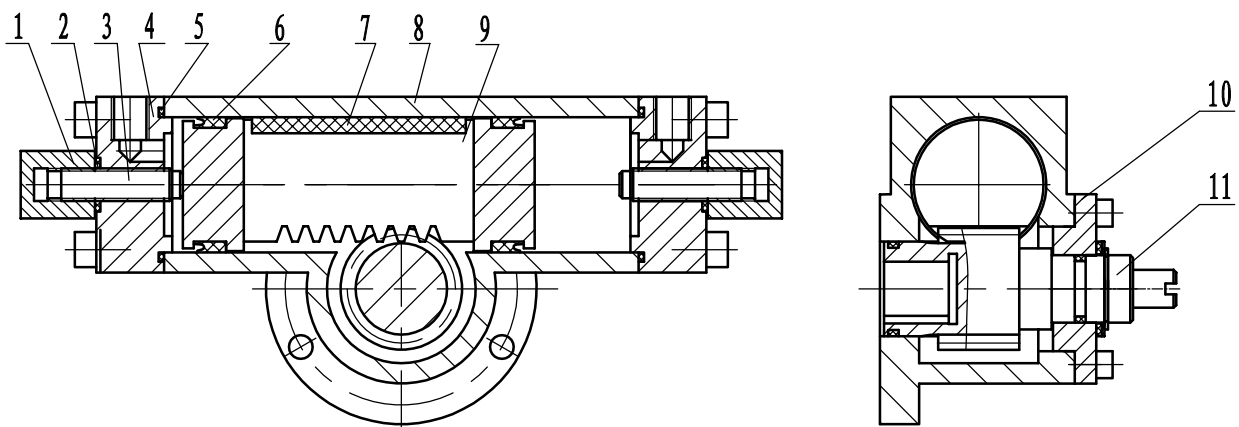
3.Working Principle

Valve can be opened by shaft through connected spindle move when hydraulic power unit entered from the left nozzle and pushed spindle spin by piston and rack . On the contrary, valve can be closed when hydraulic power unit entered from the right nozzle. Switch angle can realize fine adjustment by adjusting boltings: loosen the nuts of both ends, reset the setscrew to the satisfaction, then tighten the nuts.

4.Attention

The oil or anti-rust water in hydraulic cylinder must be clean,inclusion-free and pollution-free. To insure the service life nad stability of hydraulicactuator, all fittings should make periodic cleaning according to the working situation. Check and replace relevant sealing elements if any oil leak occurred.

5.Structure and main parts



Main Parts List

No.	Name	Material	No.	Name	Material
1	Nut	45	7	Rest pad	Nylon
2	Gasket		8	Cylinder	QT500-7
3	Setscrew	45	9	Piston	45
4	Cylinder cover	QT500-7	10	Cover	QT500-7
5	Sealing ring	NBR	11	Spindle	45
6	YXD sealing ring	PU			