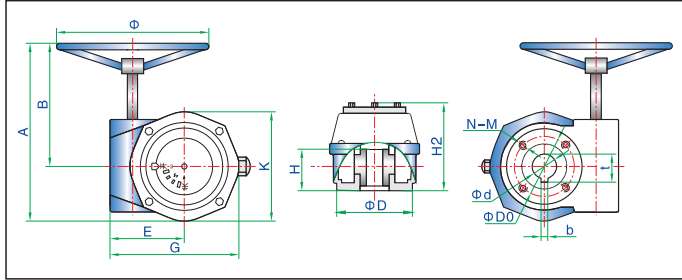
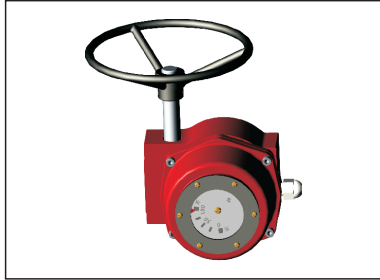


WX-R Series

Part of the transition back to the manual valve device

The series is a 90° rotary drive for ball valves, butterfly valves, plug valves and other types of valves. Upper part of the product with an electrical signal into a signal matching the manual assembly of the valve, it is widely used in the central control room in order to keep that open and close the valve position in which it is essential to achieve automation and control components.

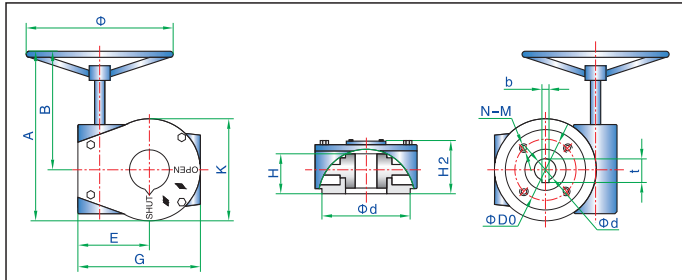
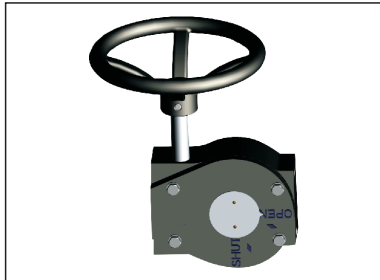


Model	D	D0	d	b	t	N-M	H	A	B	E	G	H2	K	Φ	Reduction ratio	R
WX-R24	77	57	12.6	3	14	4-M6	45	188	130	70	130	132	115	150	24	6
	88	70	16	5	18.3	4-M8	45	208	150	70	130	132	115	150	24	6
	92	70	19	5	21.3	4-M8	50	208	150	72	130	122	115	150	24	6
WX-R30	115	89	22.2	8	25.5	4-M12	65	252	180	92	171	147	145	270	30	7.5
	115	89	28.8	8	32.1	4-M12	70	268	195	96	171	152	147	270	30	7.5

WD-R Series

Part of the transition back to the manual valve device

The series is a 90° rotary actuators for ball valves, butterfly valves, plug valves and other types of valves, the series of cheap, pay attention to small port by the valve. Product total of 6 models.

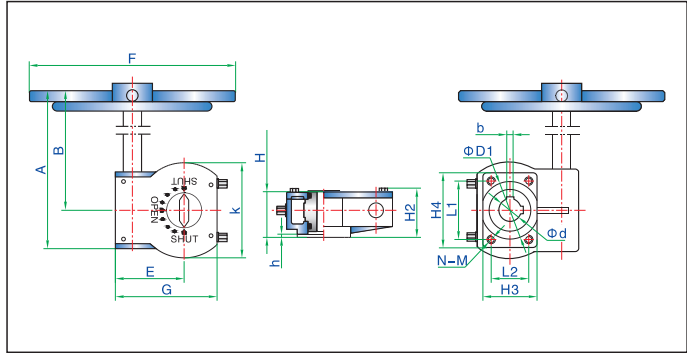
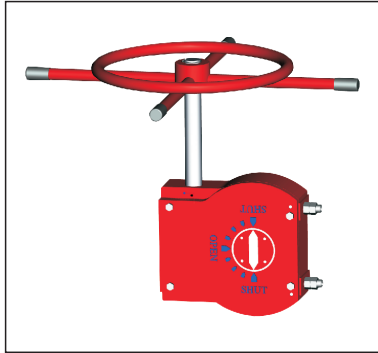


Model	Butterfly valve DN	d	b	t	D	D0	N-M	A	B	H	H2	E	F	k	Φ	Output torque Nm
WD-R24X	50	12.6	3	14	75	57.2	4-M6	180	135	42	51	65	109	90	140	170
WD-R24	50 ~ 80	12.6	3	14	92	57.2	4-M6	202	152	50	60	71	123	100	160	170
	100	16	5	18.3		4-M8										
	125 ~ 150	18	5	20.3	92	70	4-M8	207	152	54	62	73	130	110	160	270
WD-30X	200	22.2	5	24.5	115	89	4-M12	280	216	65	70	86	150	128	240	500
	200	22.2	5	24.5	115	102	4-M10	296	222	70	74	97	170	148	280	700
WD-30	250	28.8	8	32.1	120	89	4-M12									
WD-50	300 ~ 350	31.8	8	35.1	135	108	4-M12	305	221	78	84	106	192	168	280	1000
WD-56	400	32	10	35.3	198	160	4-M16	372	267	90	98	140	248	210	320	1200

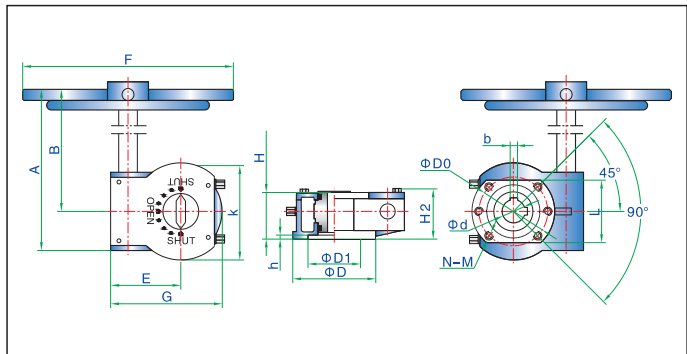
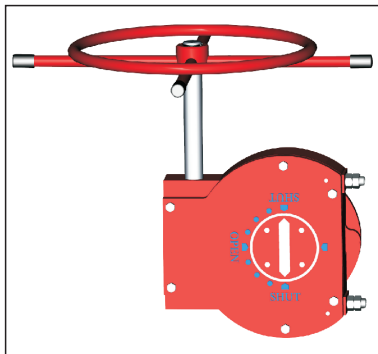
WQ-R Series

Part of the transition back to the manual valve device

The series is a 90° rotary drive for ball valves, butterfly valves, plug valves, and other types of valves. Worm products longer apply to hand-round encounter of the valve body, hand extended round of the use of welded steel pipe output torque, 4 types of products



Model	Ball-valve	Ratio	Connection size							Appearance size						
			H3×H4	D1×h	L1×L2	N-M	d	b	H	F	A	B	E	G	H2	K
WQ-R54	150	54:1	100×140	105×4	100×80	4-M12	30	10	80	410	264	204	121	191	86	162
WQ-R61	200	61:1	130×180	145×4	140×90	4-M20	40	10	100	570	413	314	165	244	113	232



Model	Ball-valve	Ratio	Connection-size								Appearance size						
			D	L	D1×h	Do (PCD)	N-M	d	b	H	F	A	B	E	G	H2	K
WQ-R72	250-300	72:1	265	200	170x5	220	6-M20	50	14	115	660	484	344	225	357	123	340
WQ-R89	350-400	89:1	320	250	200x5	260	6-M24	70	14	150	680	593	435	320	480	148	505