

## W-T Series

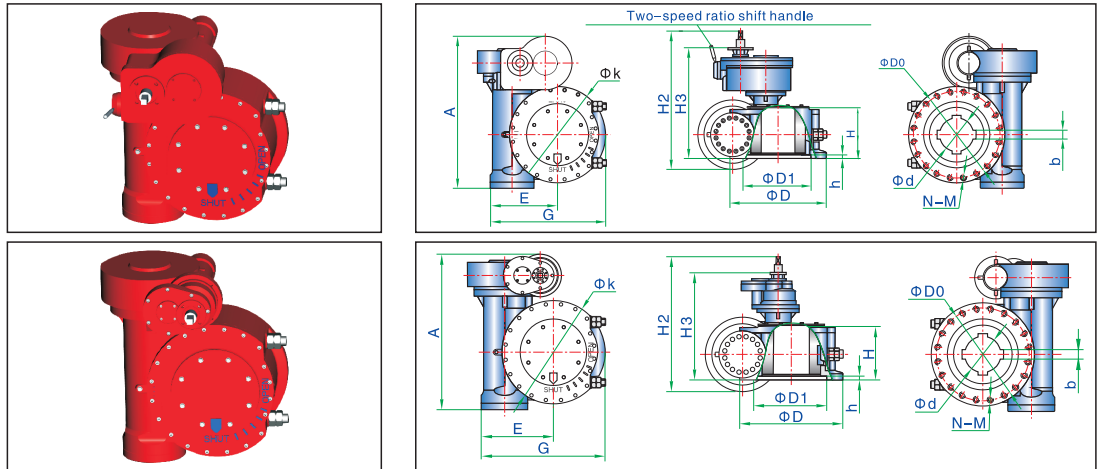
### Part of the transition back to the valve device

The series is a 90° part of the rotation drive for ball valves, butterfly valves, plug valves and other types of valves. This series of modular large, bearing high torque for large valves, high torque drive manually. The following ST series, with three levels of reduction gear. Characteristics according to valve so the development of ST-SD3-B products, the use of double-speed ratio gear box body, a large torque to overcome the large valve to open a long time the difficulties, more human of the operation of the valve.

Model	Technical-parameters		Connection-size								
	Ratio	Output-torque Nm	Flange NO.	D	D1×h Concave	D0 PCD	N-M	d Bore	d limit	b	H
W-T14	44	300000	F60	686	470x8	603	20-M36	300	260-320	70	410
			F72	800	470x8	720	20-M36				
W-T15	52	400000	F89	955	560x10	890	20-M36	340	280-380	80	450
W-T16	60	550000	F98	1125	700x10	980	20-M42	380	320-480	80	510

## W-T-SD Series

### Part of the transition back to the manual valve device



Model	W-T14-SD3-B	W-T14-SD3-T	W-T15-SD3-B	W-T15-SD3-T	W-T16-SD3-B	W-T16-SD3-T
Technical-parameters						
Ratio	7040:1	17776:1	8320:1	21008:1	11400:1	28785:1
Slow-ratio	17002:1		20093:1		27645:1	
Input-torque Nm	280	320	320	380	320	320
Output-torque Nm	295000	320000	405000	425000	557000	530000
Limit-adjustment	5° C		5° C		5° C	
Butterfly-valve DN	2400-3600		2800-3600		3600-4500	
Connection-size						
Appearance-size						
A	1250	1195	1390	1335	1716	1661
E	560		718		933	
G	960		1233		1553	
H2	1151	1091	1151	1091	1228	1168
H3	923	863	909	849	1136	1076
K	800		1030		1430	