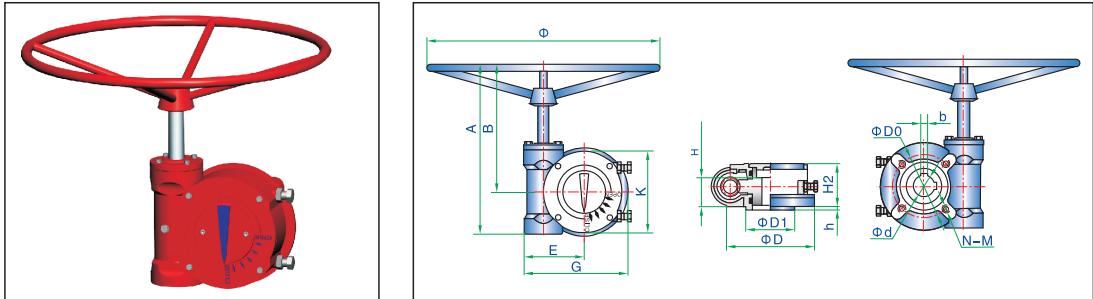


W-H Series

Part of the transition back to the manual valve device

The series is a 90° rotary drive for ball valves, butterfly valves, plug valves and other types of valves. Worm gear box with cast iron, good looks, drive support with conical bearings, CNC machine tools and other products using advanced high-precision worm gear grinding machine processing technology to enable efficient transmission of the product. Use of welded steel pipe with a hand wheel, the output torque. The series originated in Europe and the United States, the product a total of four kinds of models.

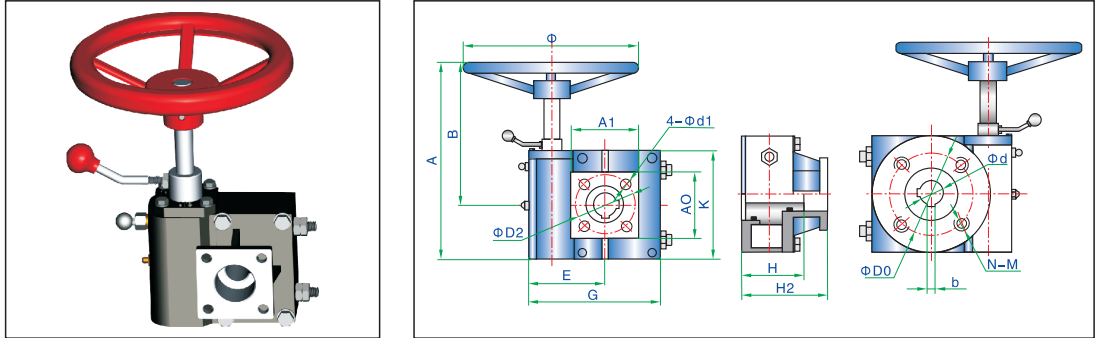


Model	W-H12	W-H14	W-H16	W-H25
Technical-parameters				
Ratio	42: 1	48: 1	55: 1	60: 1
Input-torque Nm	90	140	200	250
Output-torque Nm	1500	2700	4400	6000
Limit-adjustment	± 5°	± 5°	± 5°	± 5°
Butterfly-valve DN	200-300	300-350	400-450	500-600
Ball-valve DN	100-125	150	200	250-300
Connection-size				
D	160	200	230	300
PCD (D0)	125	140	165	254
Convex (D2 × h)	85 × 3	100 × 3	130 × 3	200 × 3
Bolt (N-M)	4-M12	4-M16	4-M20	8-M16
Bore (d)	37	45	50	60
Key(b) × Key × NO. × 90°	10 × 8 × 1	14 × 9 × 1	14 × 9 × 2	16 × 10 × 2
Install-height (H)	70	70	80	110
Handwheel (Φ)	300	460	610	760
Appearance-size				
A	344	385	445	515
B	267	293	335	375
E	111	131	156	188
G	191	231	271	338
H2	95	105	118	135
K	146	176	213	263

WW-R Series

Part of the transition back to the manual valve device

The series used in combination with the pneumatic device, is a 90° rotary drive for ball valves, butterfly valves, plug valves and other types of valves. Exchange of manual and pneumatic drive. Products total of 5 models.



Model		WW-R26	WW-R38			WW-R54	WW-R80	WW-R78A
Technical-parameters								
Ratio		26:1	38:1			54:1	80:1	78:1
Input-torque Nm		60	60	60	75	120	140	200
Output-torque Nm		390	550	550	620	1200	2000	3500
Limit-adjustment		± 5°	± 5°	± 5°	± 5°	± 5°	± 5°	± 5°
Butterfly-valve DN		80	200	200	250	350	400	500
Ball-valve DN		50	150	150	150	200	250	300
Cylinder-model		GTX.83-92	GTX.83-92	GTX.100-127	GTX.160	GTX.210	GTX.254-255	
Connection-size								
Connect ed with the size	Ao × A1	70 × 70	70 × 105	110 × 110	110 × 110	130 × 130	156 × 156	165 × 165
	PDC(D2)	70	70	102	102	140	165	165
	4-φd1	4-φ9	4-φ9	4-φ12	4-φ12	4-φ18	4-φ22	4-φ22
Connect ed with the valve size	Bore (d)	22	22	32	38	48	60	76
	Key(b) × Key × NO. × 90°	8 × 7 × 2	8 × 7 × 2	10 × 8 × 2	10 × 8 × 2	14 × 9 × 2	18 × 11 × 2	18 × 11 × 2
	PDC (D0)	70	70	102	102	140	165	165
	Bolt(N-M)	4-M8	4-M8	4-M10	4-M10	4-M16	4-M20	4-M20
	H	84	84	60	90	68	128	81
Handwheel(φ)	200	200	200	250	300	400	600	
Appearance-size								
A		228	275	275	285	315	395	465
B		120	212	212	223	230	277	324
E		84	94	94	96	119	167	185
G		130	157	157	159	201	283	325
H2		87	89	96	96	107	132	132
K		104	126	126	125	173	235	282